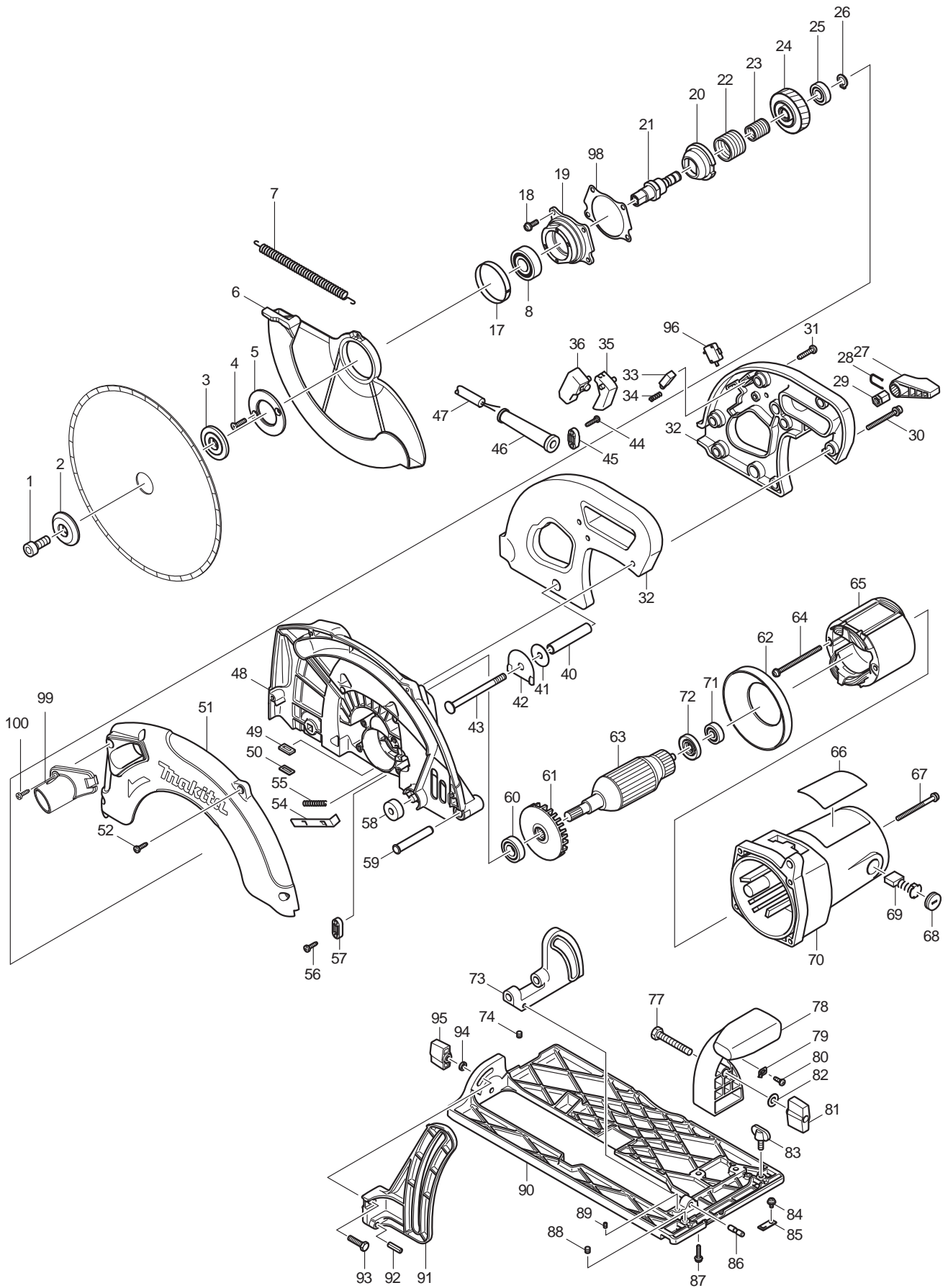




09 - 2010

5104

10-1/4" CIRCULAR SAW



| Item No | Type | Ref | Part No | Description | Qty | Unit |
|---------|------|------|----------|------------------------------|-----|------|
| 1 | | | 266083-2 | HEX. SOCKET HEAD BOLT M10X25 | 1 | PC. |
| 2 | | | 224325-0 | OUTER FLANGE 45 | 1 | PC. |
| 3 | | | 224419-1 | INNER FLANGE 45 | 1 | PC. |
| 4 | | | 912222-9 | COUNTERSUNK HEAD SCREW M5X16 | 2 | PC. |
| 5 | | | 285681-3 | BEARING RETAINER 34-62 | 1 | PC. |
| 6 | | | 318240-9 | SAFETY COVER | 1 | PC. |
| 7 | | | 231850-4 | TENSION SPRING 6 | 1 | PC. |
| 8 | | | 211278-2 | BALL BEARING 6203DDW | 1 | PC. |
| 17 | | | 344303-5 | THICKNESS RING | 1 | PC. |
| 18 | | | 911225-0 | P.H. SCREW M5X16 | 4 | PC. |
| 19 | | | 316709-7 | BEARING BOX | 1 | PC. |
| 20 | | | 322830-2 | LOCK SLEEVE | 1 | PC. |
| 21 | | | 322827-1 | SPINDLE | 1 | PC. |
| 22 | | | 231968-1 | LOCK SPRING 27 | 1 | PC. |
| 23 | | | 231969-9 | LOCK SPRING 20 | 1 | PC. |
| 24 | | | 226452-9 | HELICAL GEAR 39 | 1 | PC. |
| 25 | | | 211104-5 | BALL BEARING 6001 | 1 | PC. |
| 26 | | | 961052-5 | RETAINING RING S-12 | 1 | PC. |
| 27 | | | 272230-5 | LEVER 54 | 1 | PC. |
| 28 | | | 231955-0 | RING SPRING 12 | 1 | PC. |
| 29 | | | 252134-7 | HEX. NUT M8 | 1 | PC. |
| 30 | | | 911263-2 | P.H. SCREW M5X40 | 3 | PC. |
| 31 | | | 266041-8 | TAPPING SCREW 5X25 | 4 | PC. |
| 32 | | | 182773-8 | HANDLE SET | 1 | SET |
| 33 | | | 415440-3 | LOCK-OFF BUTTON | 1 | PC. |
| 34 | | | 231230-4 | COMPRESSION SPRING 4 | 1 | PC. |
| 35 | | | 415439-8 | SWITCH LEVER | 1 | PC. |
| 36 | | | 651923-1 | SWITCH TG70B, SINGLE | 1 | PC. |
| 40 | | | 331469-0 | PIPE 9 | 1 | PC. |
| 41 | | | 267216-2 | FLAT WASHER 8 | 1 | PC. |
| 42 | | | 232151-3 | LEAF SPRING | 1 | PC. |
| 43 | | | 266019-1 | CAP SQUARE NECK BOLT M8X98 | 1 | PC. |
| 44 | | | 265995-6 | TAPPING SCREW 4X18 | 2 | PC. |
| 45 | | | 687052-4 | STRAIN RELIEF | 1 | PC. |
| 46 | | | 682505-8 | CORD GUARD 10-90 | 1 | PC. |
| 47 | | | 664463-0 | CORD W/PLUG 2P-14-2.5M, SJ | 1 | PC. |
| 48 | | | 158610-8 | BLADE CASE COM. | 1 | PC. |
| | | INC. | 263005-3 | RUBBER PIN 6 | 1 | PC. |
| | | INC. | 816904-4 | SCALE PLATE | 1 | PC. |
| 49 | | | 443098-8 | FELT | 1 | PC. |
| 50 | | | 344263-1 | PLATE | 1 | PC. |
| 51 | | | 318237-8 | BLADE CASE COVER | 1 | PC. |
| 52 | | | 266034-5 | TAPPING SCREW CT 4X16 | 4 | PC. |
| 54 | | | 344261-5 | SHAFT LOCK | 1 | PC. |
| 55 | | | 233084-5 | COMPRESSION SPRING 6 | 1 | PC. |
| 56 | | | 266034-5 | TAPPING SCREW CT 4X16 | 2 | PC. |
| 57 | | | 687053-2 | STRAIN RELIEF | 1 | PC. |
| 58 | | | 262007-6 | RUBBER RING 8 | 1 | PC. |
| 59 | | | 268008-2 | PIN 10 | 1 | PC. |
| 60 | | | 211236-8 | BALL BEARING 6002DDW | 1 | PC. |
| 61 | | | 241889-9 | FAN 74 | 1 | PC. |
| 62 | | | 415768-9 | BAFFLE PLATE | 1 | PC. |
| 63 | | | 517776-7 | ARMATURE ASSY | 1 | PC. |
| | | INC. | | Item No. 71 & 72 | | |

| Item No | Type | Ref | Part No | Description | Qty | Unit |
|---------------------------|------|------|----------|--|-----|------|
| 64 | | | 911944-8 | P.H. SCREW M5X80 | 2 | PC. |
| 65 | | | 596326-1 | FIELD ASSY | 1 | PC. |
| | | INC. | 654197-3 | RING TERMINAL | 2 | PC. |
| | | INC. | 654502-4 | CONNECTOR P-2 | 2 | PC. |
| 66 | | | 864654-5 | 5104 NAME PLATE | 1 | PC. |
| 67 | | | 911288-6 | P.H. SCREW M5X65 | 4 | PC. |
| 68 | | | 643700-5 | BRUSH HOLDER CAP 7-18 | 2 | PC. |
| 69 | 1 | | 191953-5 | CARBON BRUSH CB-203, 2PCS/SET (W/O ORIGIN) | 1 | SET |
| | 2 | | 194991-6 | CARBON BRUSH CB-203, 2PCS/SET (W/ ORIGIN) | 1 | SET |
| 70 | | | 158611-6 | MOTOR HOUSING COM. | 1 | PC. |
| | | INC. | 643712-8 | BRUSH HOLDER | 2 | PC. |
| | | INC. | 810348-0 | CAUTION LABEL | 1 | PC. |
| 71 | | | 210042-8 | BALL BEARING 629LLB | 1 | PC. |
| 72 | | | 681633-6 | INSULATION WASHER | 1 | PC. |
| 73 | | | 318262-9 | ANGLER PLATE | 1 | PC. |
| 74 | | | 266039-5 | HEX. SOCKET HEAD SCREW M6X6 | 1 | PC. |
| 77 | | | 921477-5 | HEX. BOLT M8X55 | 1 | PC. |
| 78 | | | 415722-3 | ANGULAR PLATE GUIDE | 1 | PC. |
| 79 | | | 816128-2 | POINTER | 1 | PC. |
| 80 | | | 266020-6 | TAPPING SCREW 4X12 | 1 | PC. |
| 81 | | | 252626-6 | WING NUT | 1 | PC. |
| 82 | | | 941201-0 | FLAT WASHER 8 | 1 | PC. |
| 83 | | | 265701-9 | SCREW M6X14 | 1 | PC. |
| 84 | | | 911109-2 | P.H. SCREW M4X8 | 1 | PC. |
| 85 | | | 415433-0 | TOP GUIDE | 1 | PC. |
| 86 | | | 256231-1 | PIN 6 | 1 | PC. |
| 87 | | | 266021-4 | TAPPING SCREW 5X20 | 2 | PC. |
| 88 | | | 266039-5 | HEX. SOCKET HEAD SCREW M6X6 | 1 | PC. |
| 89 | | | 265993-0 | SET SCREW M4X5 | 1 | PC. |
| 90 | | | 318238-6 | BASE | 1 | PC. |
| 91 | | | 318239-4 | DEPTH GUIDE | 1 | PC. |
| 92 | | | 951210-1 | SPRING PIN 6-20 | 1 | PC. |
| 93 | | | 921342-8 | HEX. BOLT M6X25 | 1 | PC. |
| 94 | | | 941151-9 | FLAT WASHER 6 | 1 | PC. |
| 95 | | | 252624-0 | WING NUT M6 | 1 | PC. |
| 98 | | | 442142-8 | GASKET | 1 | PC. |
| 99 | | | 450316-7 | JOINT | 1 | PC. |
| 100 | | | 266036-1 | TAPPING SCREW | 1 | PC. |
| <u>ACCESSORIES</u> | | | | | | |
| A01 | | | 165499-7 | GUIDE RULE | 1 | PC. |
| A02 | | | 783204-6 | HEX. WRENCH 6 | 1 | PC. |
| A03 | | | A-94910 | 10-1/4" C.T.SAW BLADE(5/8")24T | 1 | PC. |
| | Opt | | T-01258 | 10" DUAL PRPS DIAMOND BLADE 5/8" | 1 | PC. |